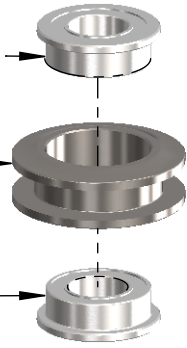


Step 1

2 x MF74-ZZ
4X7X2.5 Flange Bearing
Locite 648

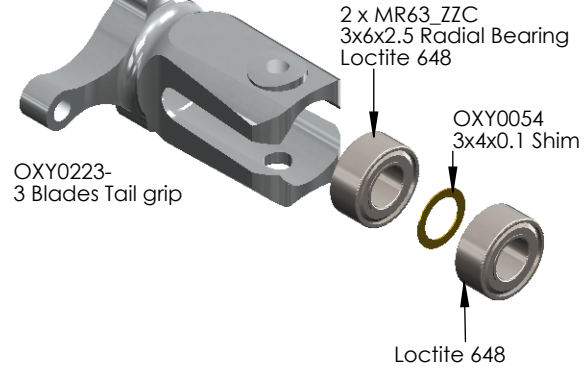
DR0810
Tail Pitch Slider Ring

Locite 648



Important Note:
This part, for tuning reasons, comes factory pre assembled with locite. It is ready to use.

Step 4



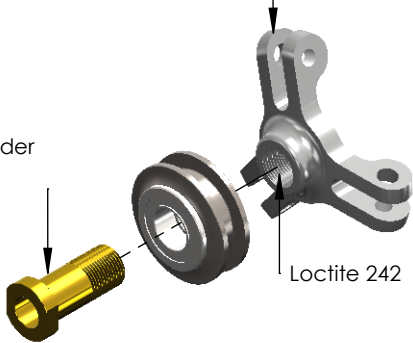
Important Note:
This part, for tuning reasons, comes factory pre assembled with locite. It is ready to use.

Step 2

OXY0221
3 Blades Tail Pitch Slider Moon

OXY0060
Tail Pitch Slider
Bushing
Locite 648

Locite 242



Note: Lock tighten until remove any side way play. Don't over lock
This part, for tuning reasons, comes factory pre assembled with locite. It is ready to use.

Step 5

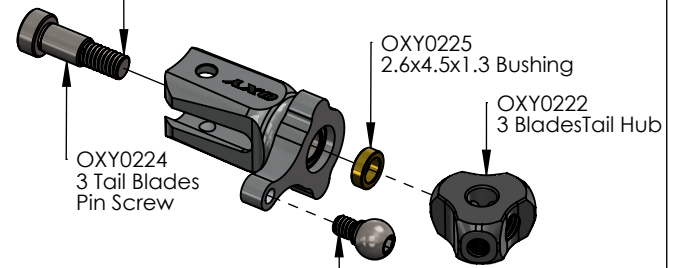
Locite 242

OXY0224
3 Tail Blades
Pin Screw

OXY0225
2.6x4.5x1.3 Bushing

OXY0222
3 Blades Tail Hub

OXY0043
4x2 Linkage Ball
Locite 242



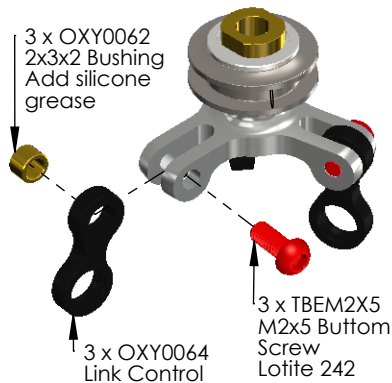
Important Note:
This part comes pre assembled WITHOUT thread lock. Follow the instruction for final assembly.

Step 3

3 x OXY0062
2x3x2 Bushing
Add silicone
grease

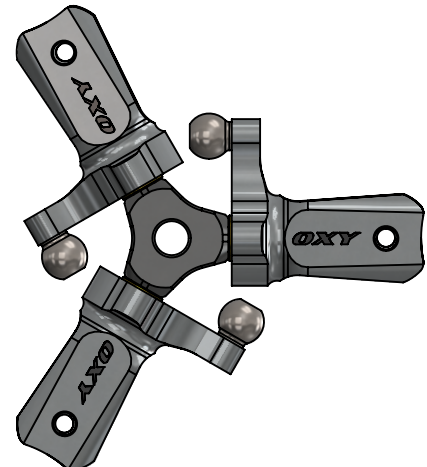
3 x TBEM2X5
M2x5 Buttom
Screw
Lotite 242

3 x OXY0064
Link Control



Important Note:
Oring, bushing for tuning reasons, comes factory pre assembled with locite and grease. It is ready to use.
M2x5 Buttom screw comes pre assembled WITHOUT thread lock. Follow the instruction for final assembly.

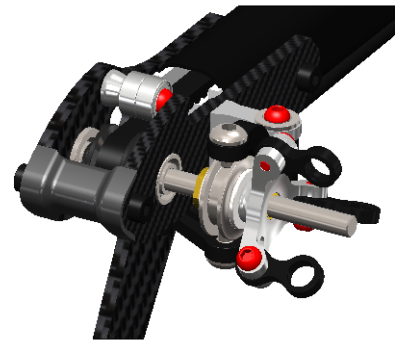
Step 6



Step 7

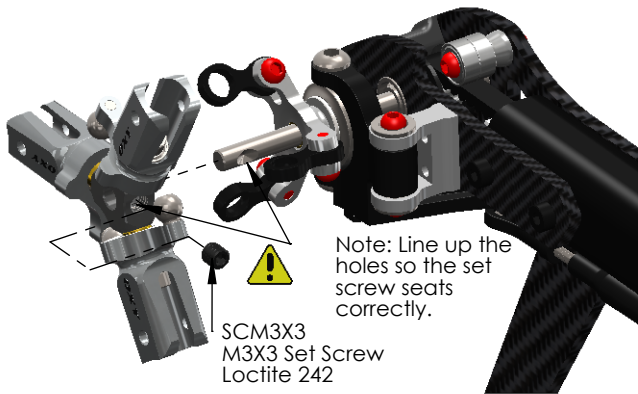


Finish Step 7



Pay attention position of O-ring on tail Pitch Slider as shown.

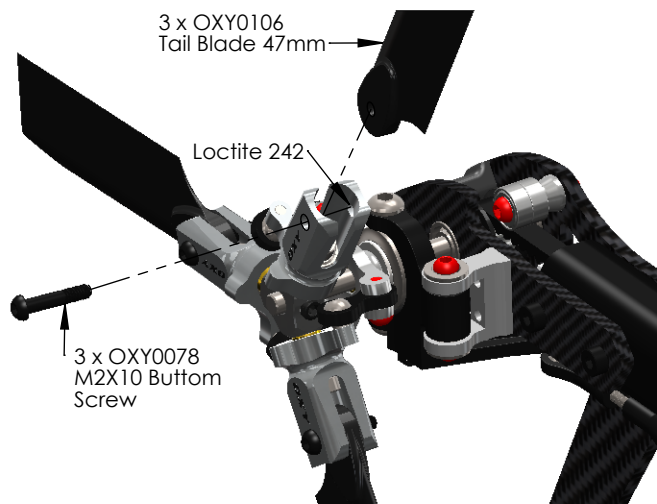
Step 8



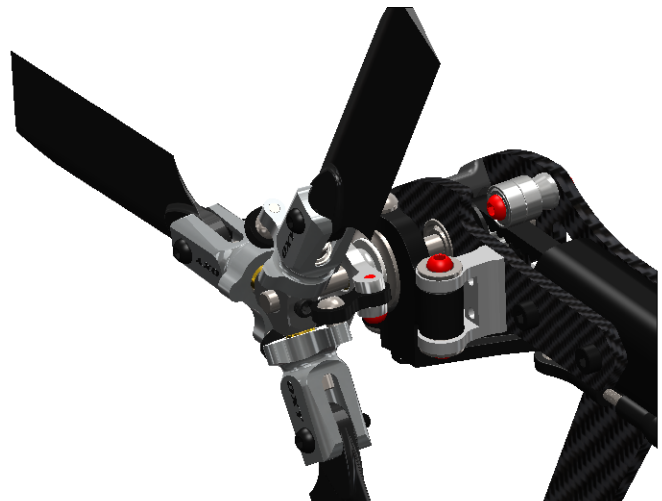
Finish Step 8



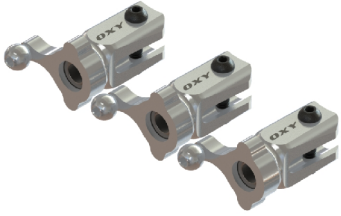
Step 9



Assembly Finish

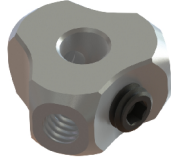


**SP-OXY3-098 Qube Ultra
Tail Grip Spare - Set**



3 x 3 Blades Tail Grip
6 x 3x6x2.5 Radial Bearing
3 x 3X4X0.1 Shim
3 x 4X2 Linkage Ball
3 x M2X10 Buttom Screw

**SP-OXY3-099 Qube 3 Blade
Tail Hub Spare**



1 x 3 BladesTail Hub
1 x M3X3 Set Screw

**SP-OXY3-100 Qube 3 Blade
Tail Pin Screw Set**



3 x 2.6X4.5X1.3 Bushing
3 x 3 Tail Blades Pin Screw

**SP-OXY3-101 Qube 3 Blade
Tail Pitch Slider Spare**



1 x Tail Pitch Slider Bushing
1 x Tail Pitch Slider Ring
1 x 3 Blades Tail Pitch Slider
Moon
3 x 2X3X2 Bushing
3 x Link Control
2 x 4X7X2.5 Flange Bearing
3 x M2X5 Buttom Screw

**SP-OXY3-102-3 3 X Tail
Blade 47mm - Black**



3 x Tail Blade 47mm - Black

**SP-OXY3-102-13 X Tail
Blade 47mm Orange**



3 x Tail Blade 47mm-Orange

**SP-OXY3-102-4 3 X Tail
Blade 47mm Yellow**



3 x Tail Blade 47mm-Yellow

**SP-OXY3-102-2 3 X Tail
Blade 47mm Green**



3 x Tail Blade 47mm-Green