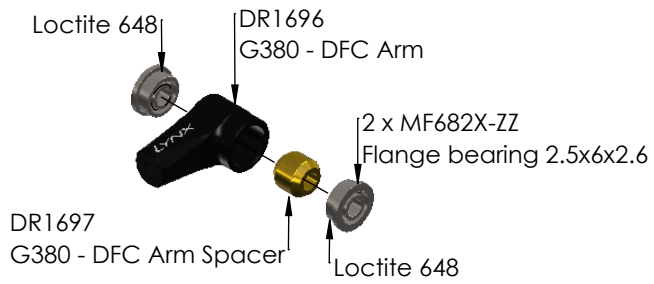
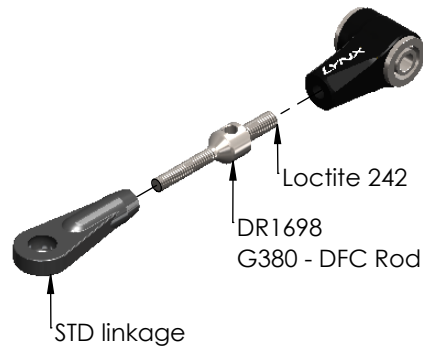


LX1708 GOBLIN 380 - ALUMINUM DFC/ HYBRID ARM

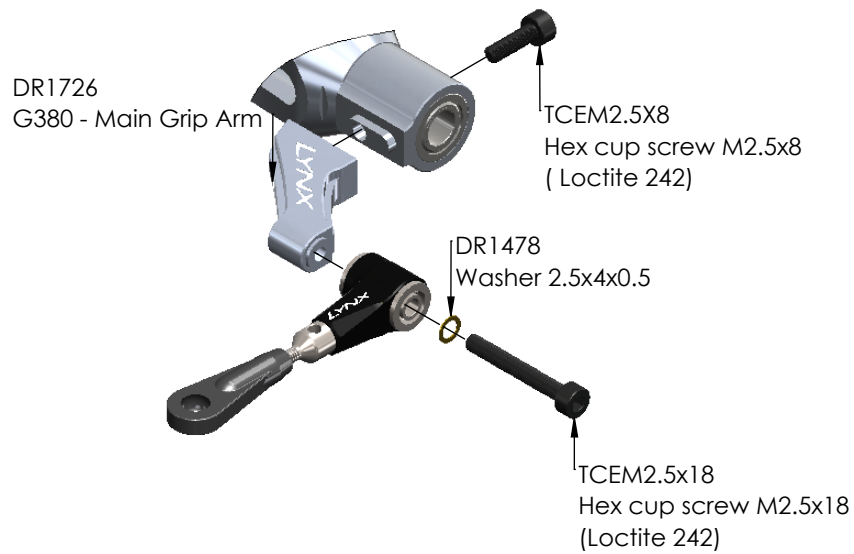
STEP 1 (x2)



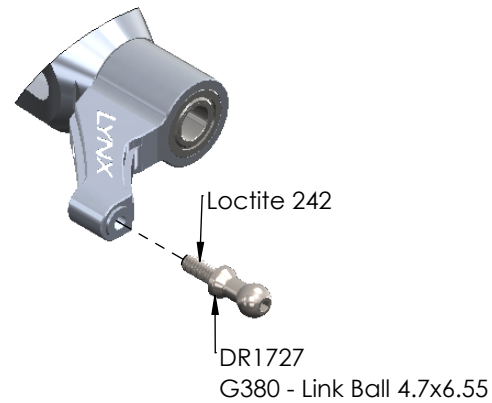
STEP 2 (x2)



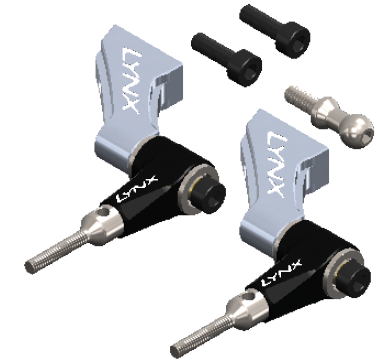
STEP 3 (x2)



Note: Install that linkage ball when you want to use hybrid System, you use one aluminum DFC arm and one STD linkage rod with Lynx's linkage ball



Assembly



Note