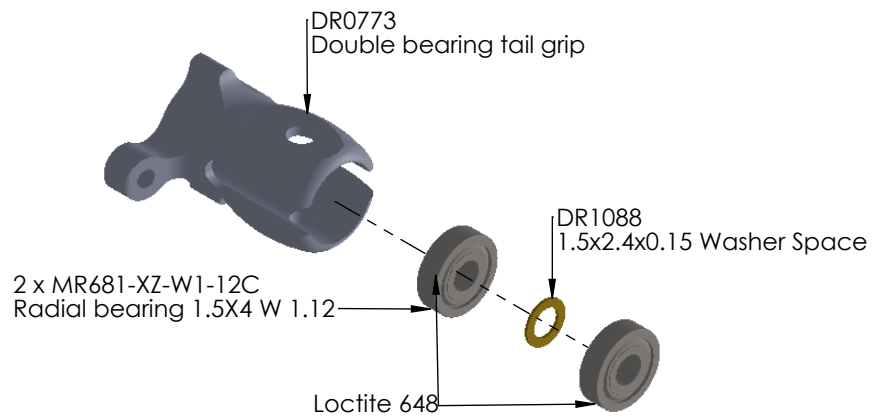
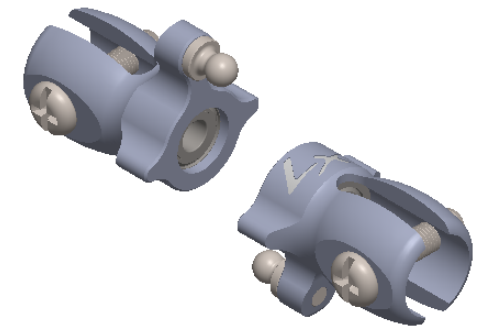


LX0807 130X - DOUBLE BEARING TAIL GRIP - SILVER  
 LX0808 130X - DOUBLE BEARING TAIL GRIP - RED

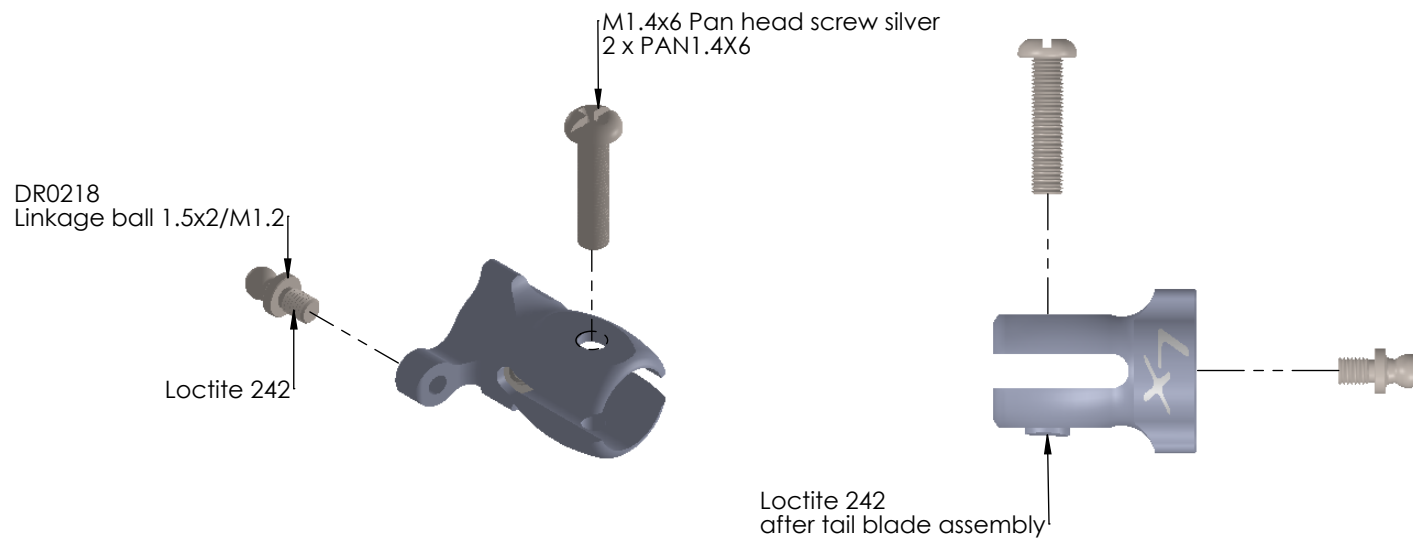
**STEP 1**



Assembly finish



**STEP 2**



**Note**

Final assembly note:  
 For final assembly in tail shaft phrase check use manual  
 of LX0804 - Lx0805