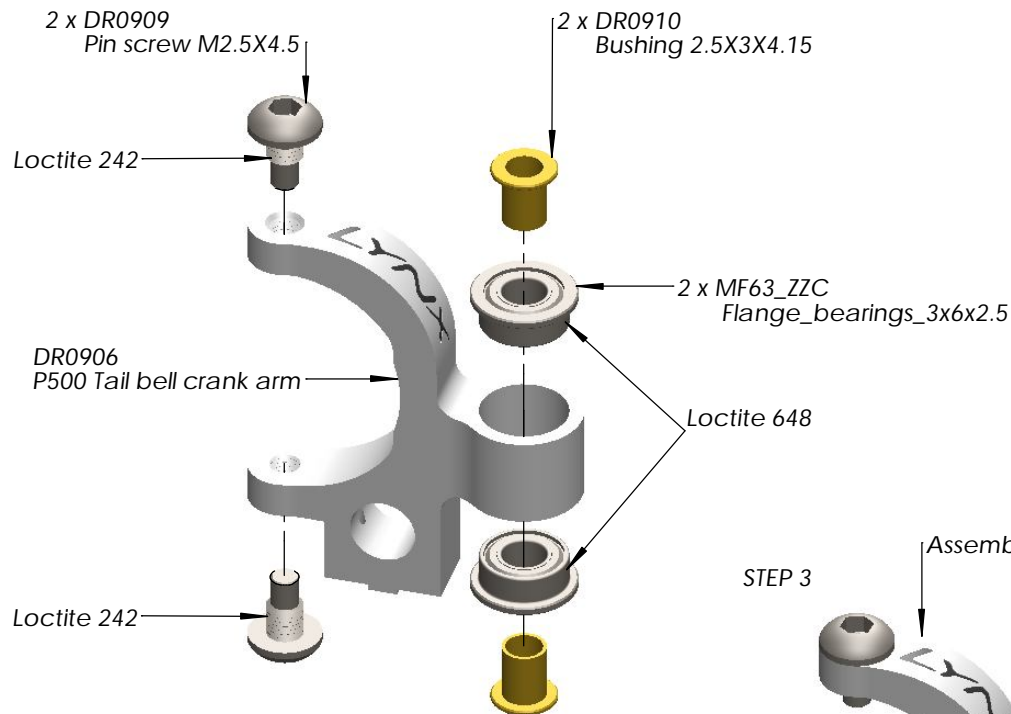
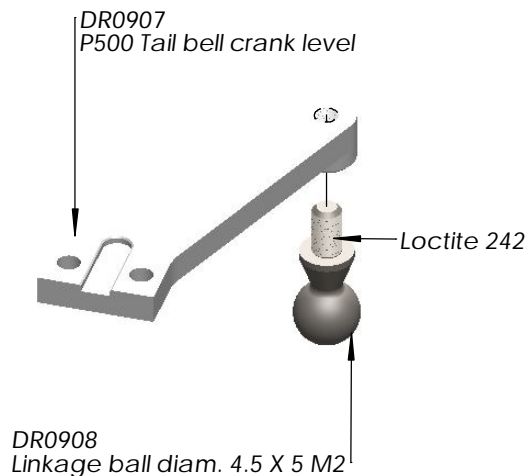


LX0734 PROTOS 500 - PRECISION TAIL BELL CRANK LEVER - SILVER
LX0735 PROTOS 500 - PRECISION TAIL BELL CRANK LEVER - RED DEVIL EDITION

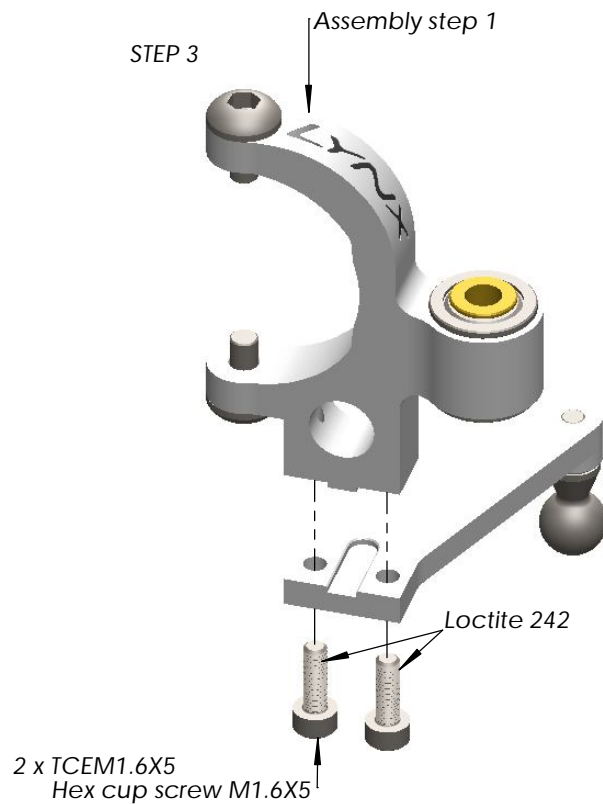
STEP 1



STEP 2



STEP 3



Assembly finish

Note Screw M2.5x16:
Don't over lock, during assembly lock and check free movement, if you over lock bearing can become notchy, in case unlock a bit.

