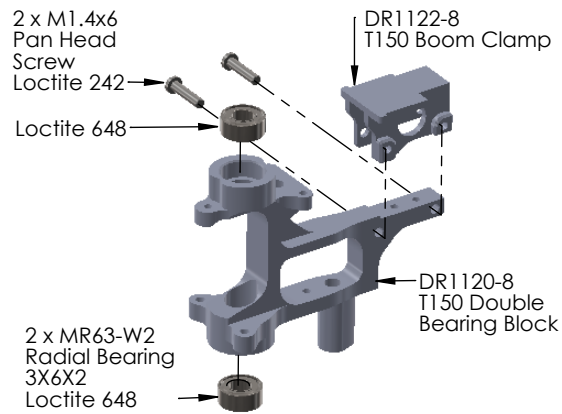


LX0980 T-REX 150 - ULTRA MAIN FRAME - SILVER
 LX0981 T-REX 150 - ULTRA MAIN FRAME - RED
 LX0982 T-REX 150 - ULTRA MAIN FRAME - BLACK

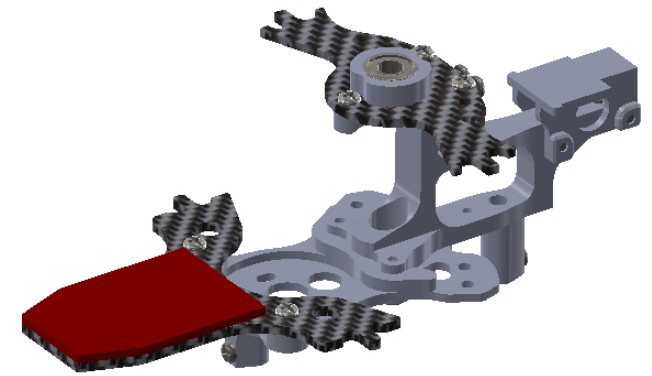
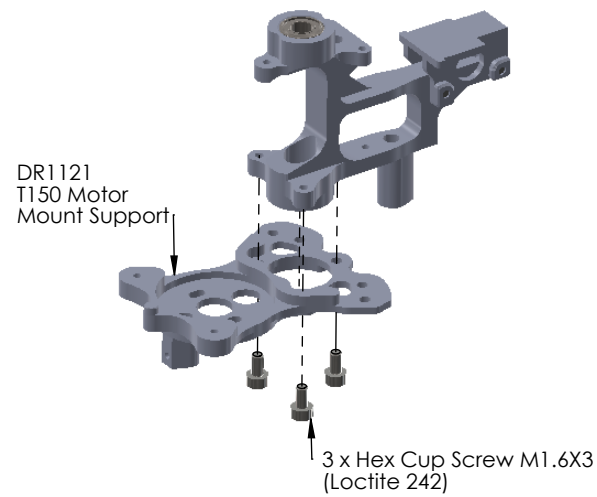
PRE ASSEMBLY - USER MANUAL

Assembly finish

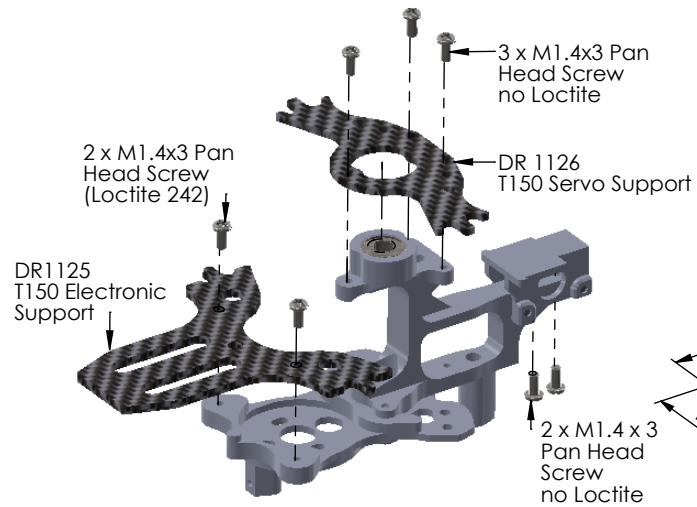
STEP 1



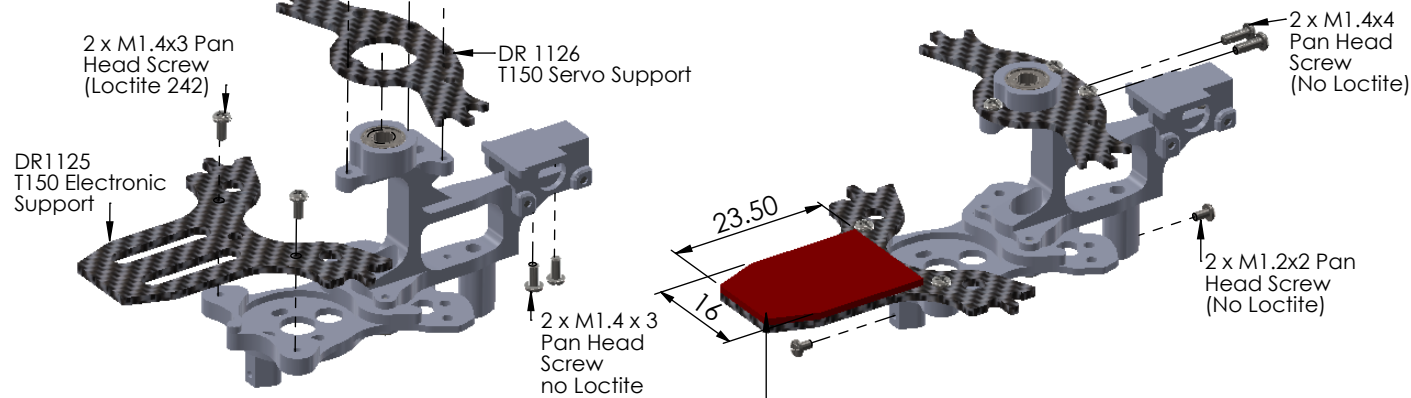
STEP 2



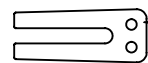
STEP 3



STEP 4



LX5500 cut as CF plate profile and stick as showing



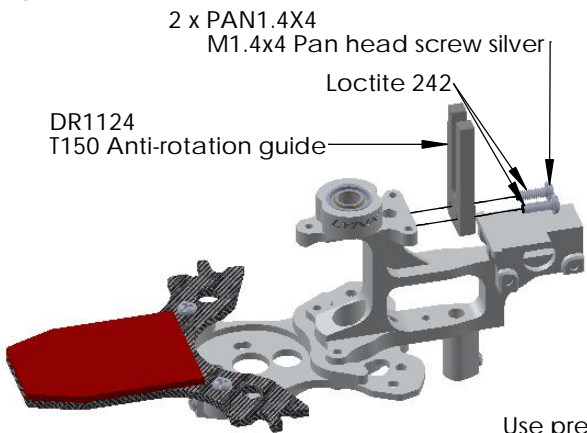
DR1124-anti rotation bracket: pack into separate plastic bag and add to final boxing pack

Assembly note

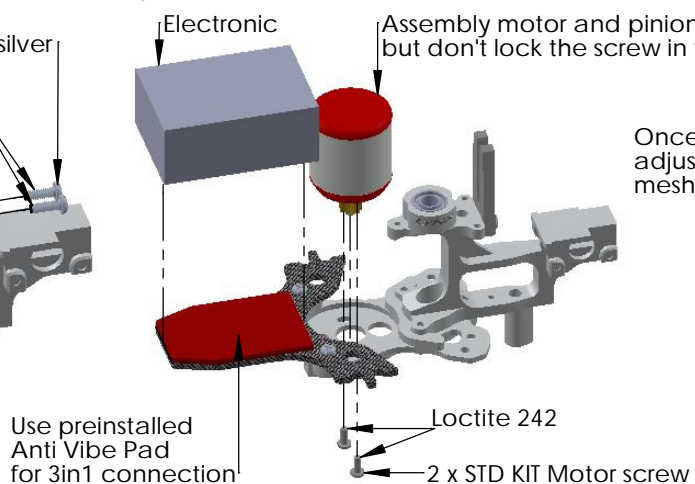
LX0980 T-REX 150 - ULTRA MAIN FRAME - SILVER
 LX0981 T-REX 150 - ULTRA MAIN FRAME - RED
 LX0982 T-REX 150 - ULTRA MAIN FRAME - BLACK

FINAL ASSEMBLY - USER MANUAL

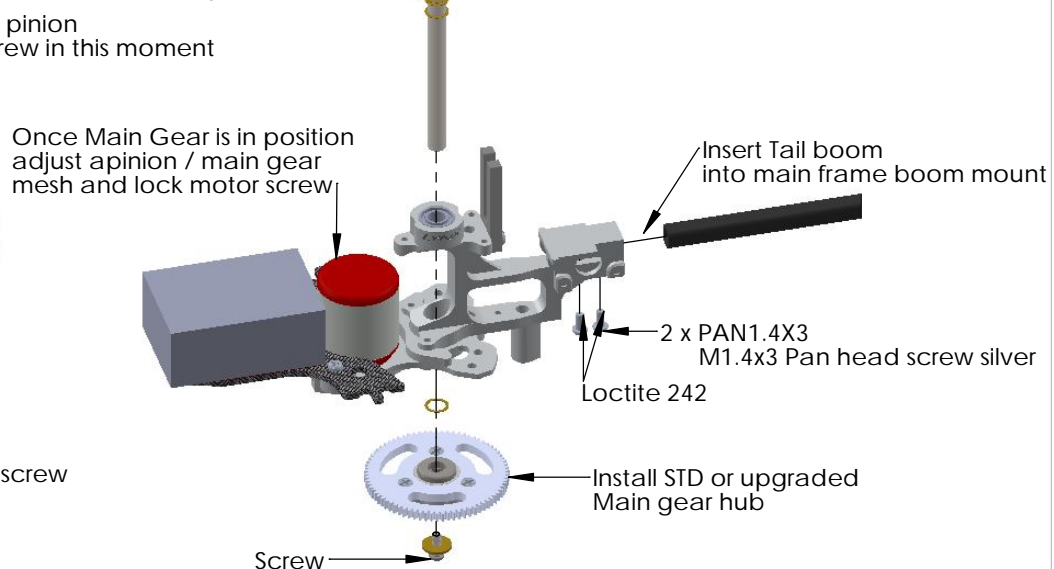
STEP 1



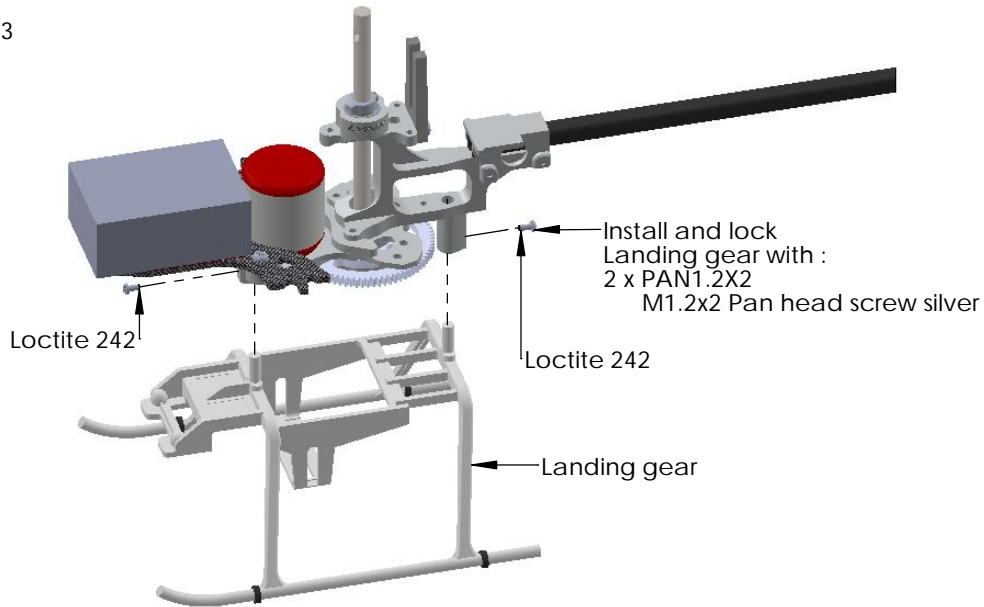
STEP 2



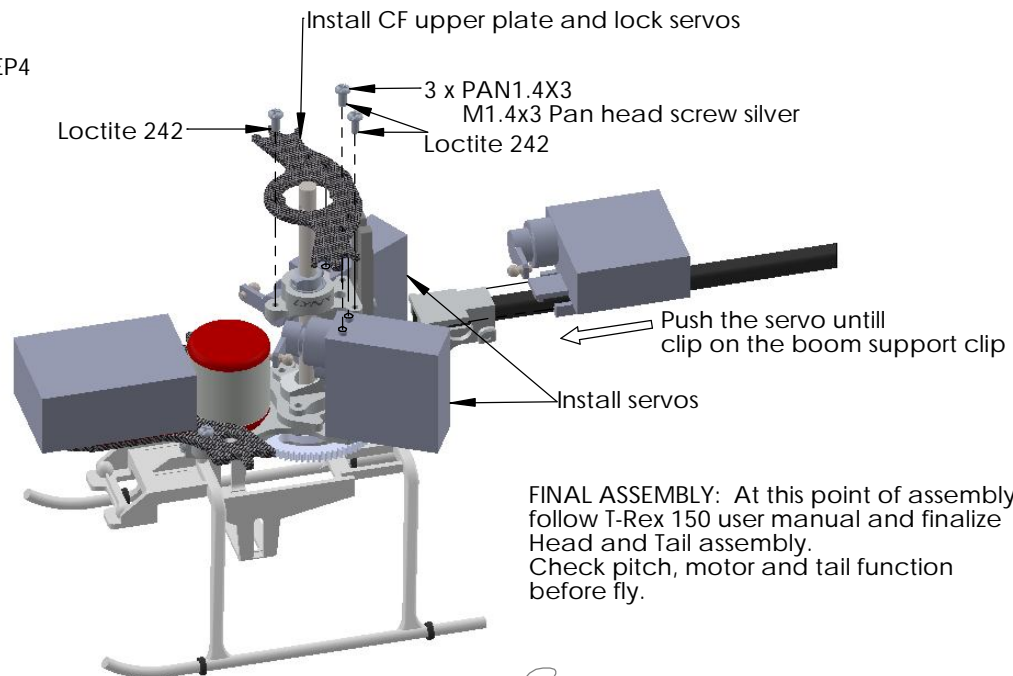
STEP 2



STEP 3



STEP 4



FINAL ASSEMBLY: At this point of assembly follow T-Rex 150 user manual and finalize Head and Tail assembly. Check pitch, motor and tail function before fly.