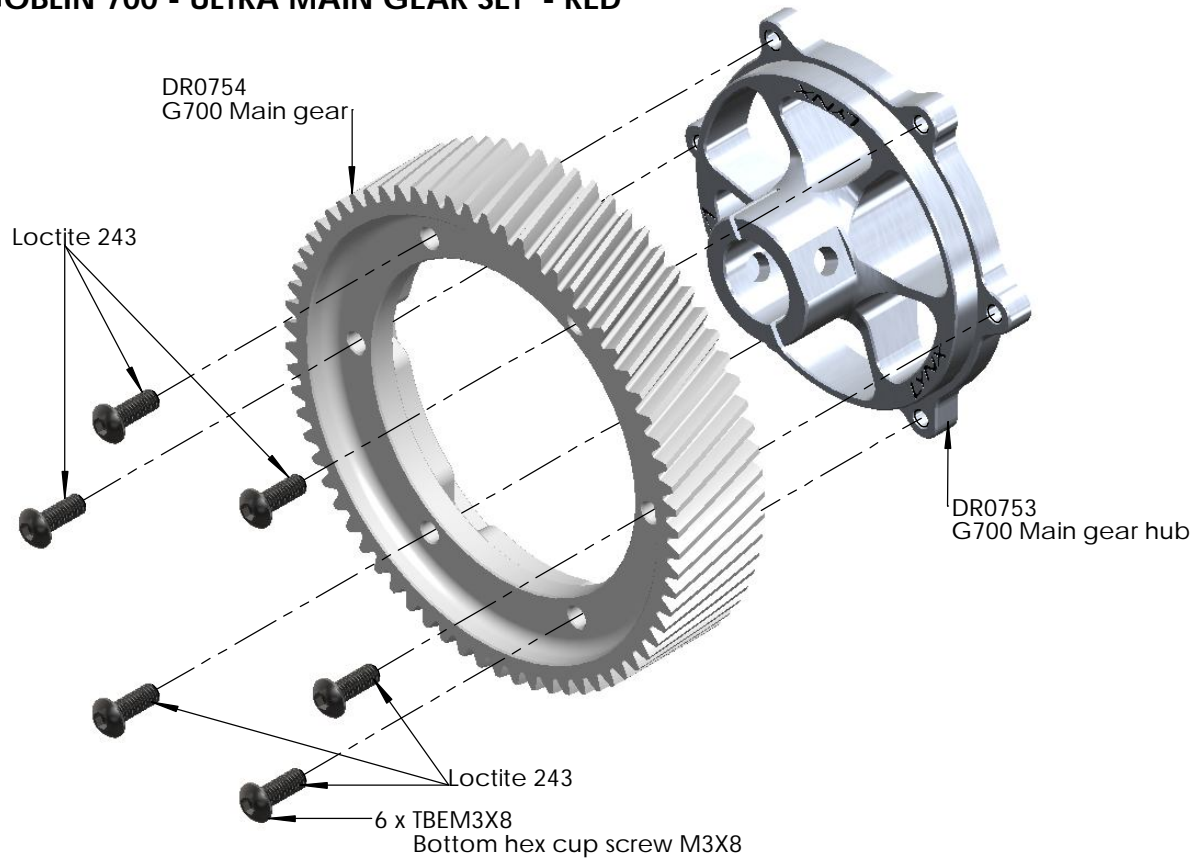


LX0751 GOBLIN 700 - ULTRA MAIN GEAR SET - SILVER
LX0752 GOBLIN 700 - ULTRA MAIN GEAR SET - RED

STEP 1



Assembly finish



Assembly note

STEP 2 Install main gear into goblin frame and main shaft, than install hex cup screw M4x25 and self lock nut, lock tighten (fully lock)

