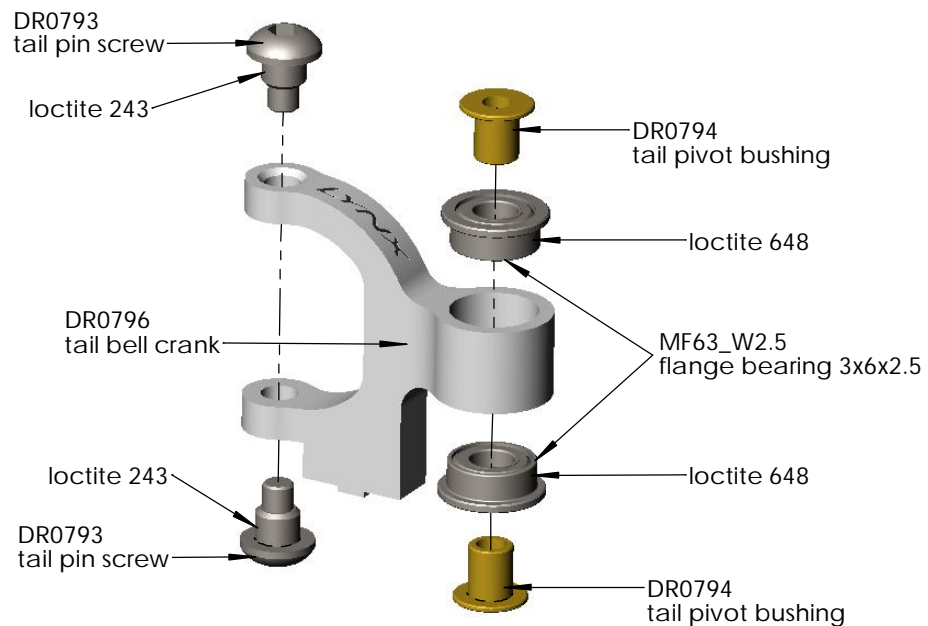


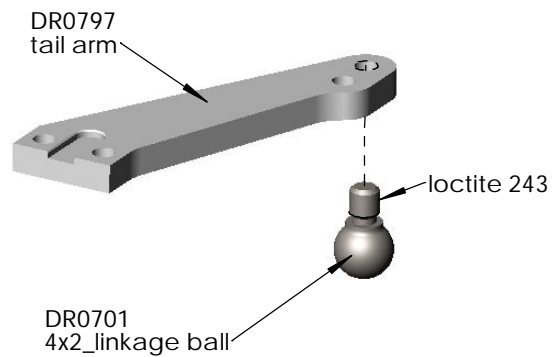
LX0538 450X_PRICISION TAIL BELL CRANK LEVER-SIVER

LX0604 450X_PRICISION TAIL BELL CRANK LEVER-RED

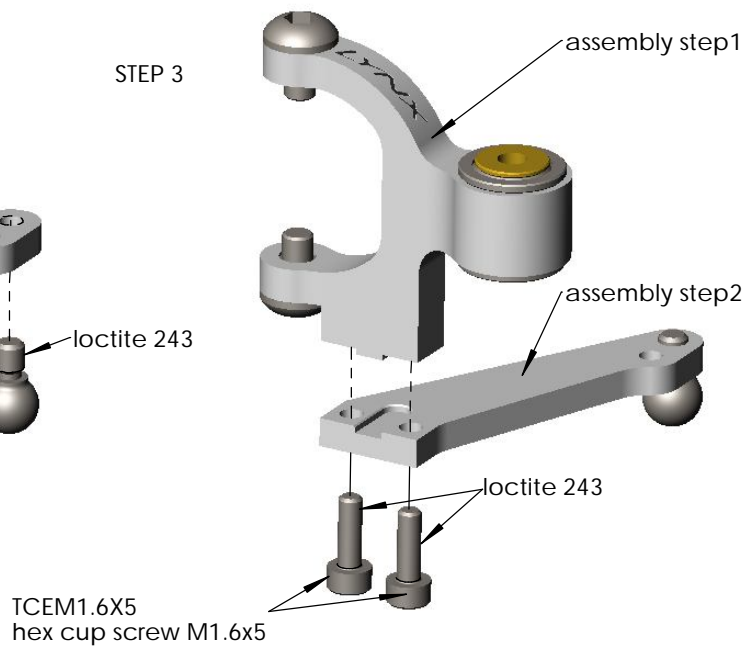
STEP 1



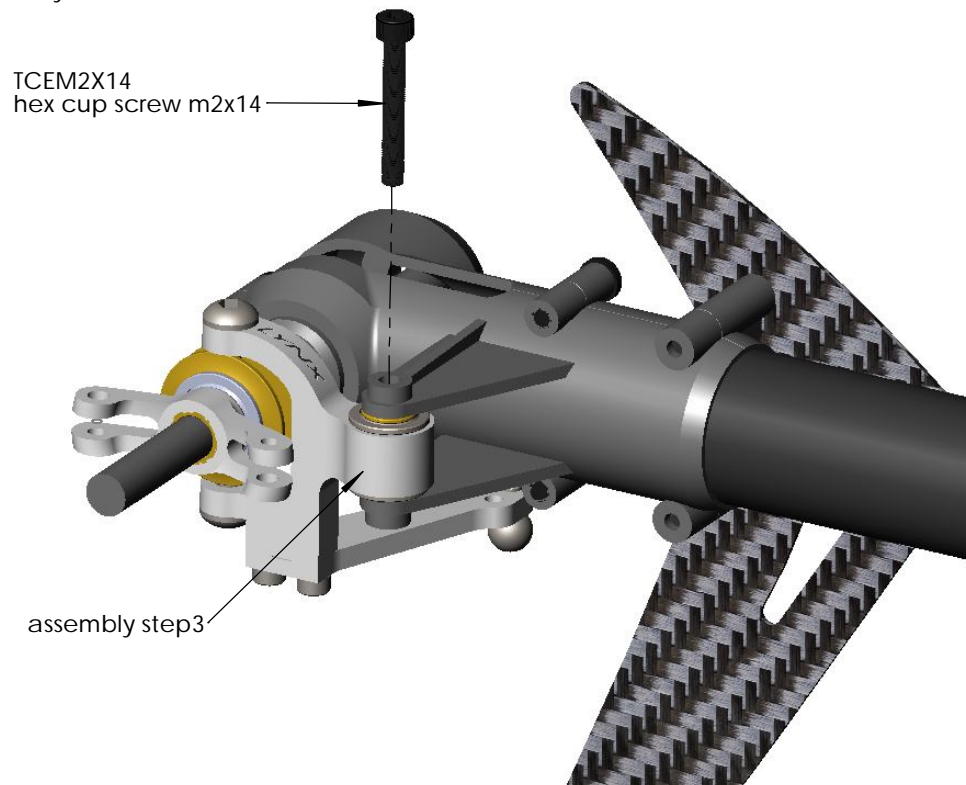
STEP 2



STEP 3



assembly finish



assembly note