

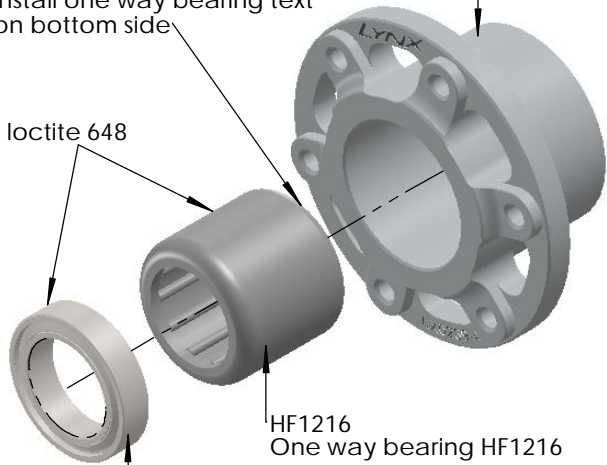
LX0269 550/600 HD MAIN GEAR CASE

Step 1

DR0044
550 to 700 one way hub

Install one way bearing text
on bottom side

loctite 648



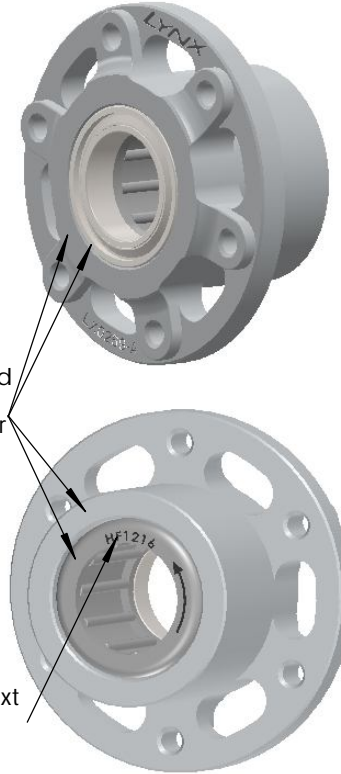
HF1216
One way bearing HF1216

MR6701-ZZ
Radial bearing 12X18x4

Finish step 1

Install radial bearing and
one way bearing
flush to upper and lower
one way hub surfaces

Check one way bearing text
on bottom side

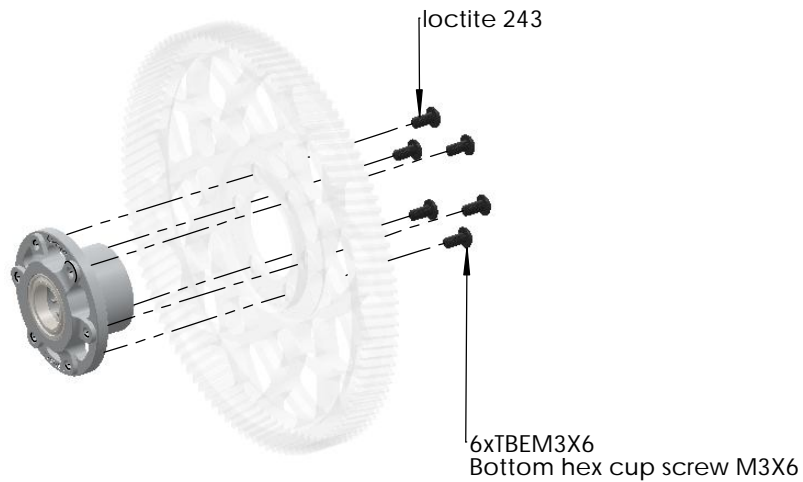


Assembly finish



Assembly note

Main Gear Installation Diagram



loctite 243

6xTBEM3X6
Bottom hex cup screw M3X6